A space-themed background featuring a dark blue and black sky with a bright sun or star in the upper right corner, casting a lens flare. A planet is visible in the upper right, partially obscured by the sun. A large, dark, curved object, possibly a planet's horizon or a ringed planet, dominates the lower half of the image. The main text is overlaid on this background.

A method to transport, organize, interconnect, and utilize occultation recording equipment

Bruce Berger
scopemaker.com

Presentation to;
2010 IOTA Annual Meeting

S.C.O.R.E.

1st Experience – Antares Graze

- ✓ New everything
 - ✓ Camera, Camcorder, GPS/VTI
- ✓ January 11, 2010, 07:39 Event Time
 - ✓ 2°F (-16°C) @ 06:00, warmed to 7°F (-14°C)
- ✓ Successful recording, except I was shivering the whole time!

S.C.O.R.E.

1st Experience – Antares Graze

- ✓ Frozen fingers
- ✓ Couldn't manage connections with gloves
- ✓ Cables were very stiff
- ✓ Batteries were very weak
- ✓ Difficulty finding target thru Camcorder VF
- ✓ GPS antenna cable insulation snapped

S.C.O.R.E.

Problem Statement

- ✓ Need a place for everything – grab ‘n go
- ✓ Equipment protection
- ✓ A foolproof way of interconnecting
- ✓ Had to work in New England Winters
 - ✓ Stiff cables
 - ✓ Weak batteries
 - ✓ Gloved hands

S.C.O.R.E.

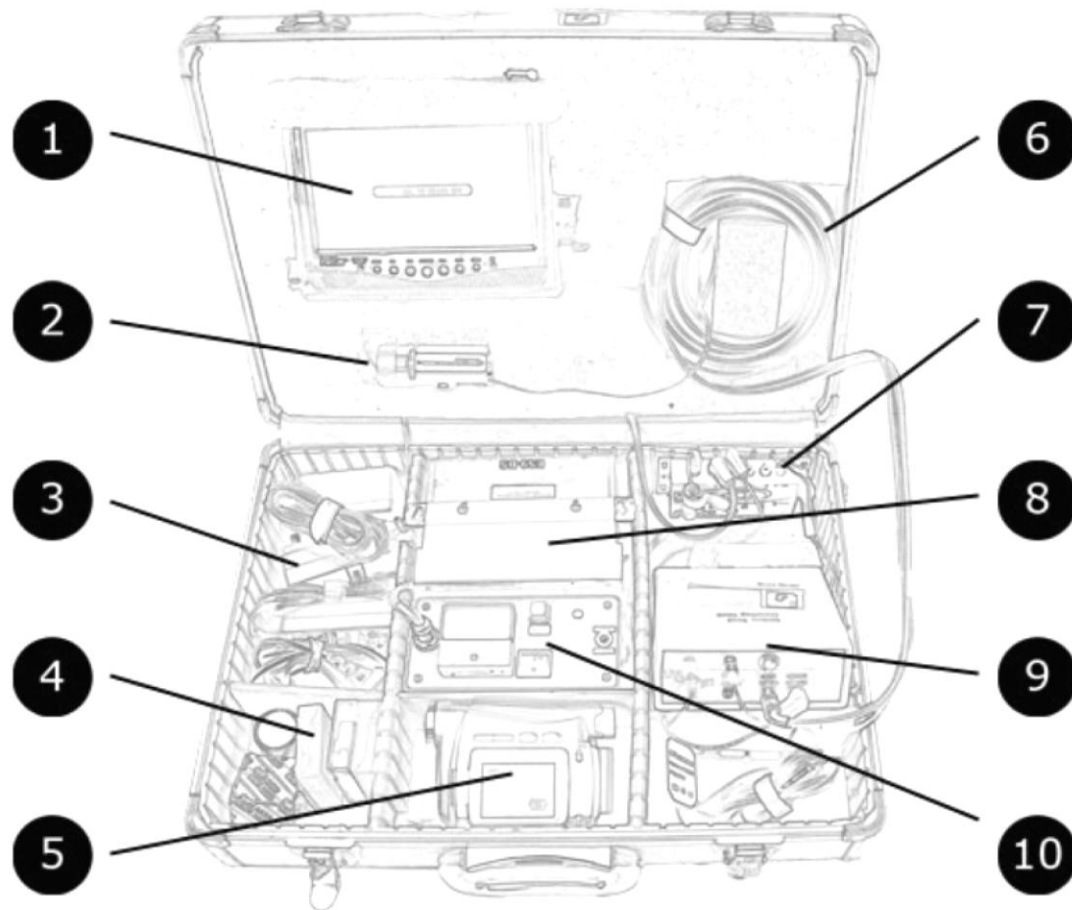
Solution



S.C.O.R.E.

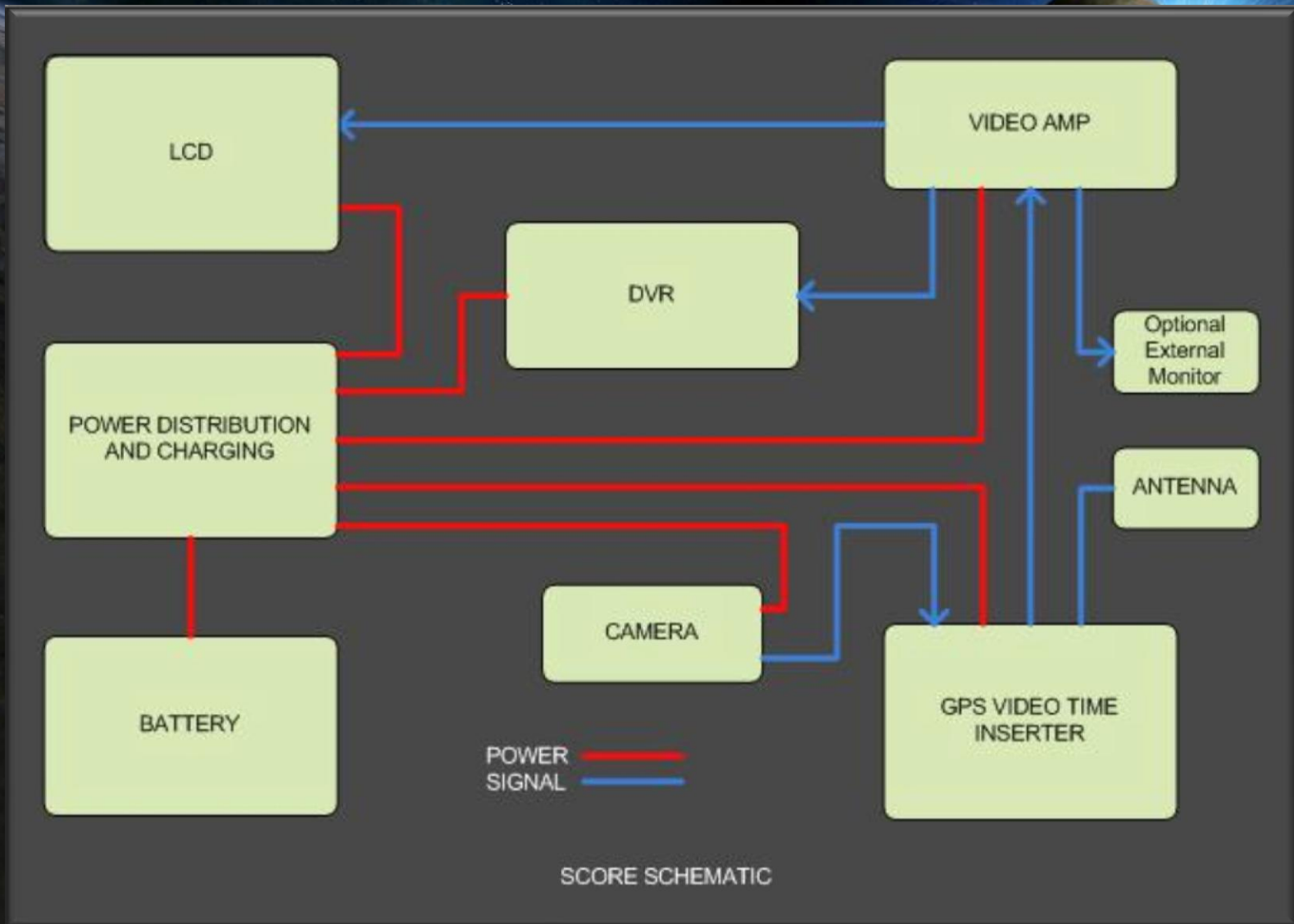


S.C.O.R.E.



- | | |
|---------------------------|----------------------|
| 1. 7" LCD Monitor | 6. Video Cable |
| 2. Low-Light Camera | 7. Video Amplifier |
| 3. Battery Chargers | 8. 12V, 9AH Battery |
| 4. DVR Tape, Lens | 9. GPS Video Overlay |
| 5. Digital Video Recorder | 10. Power Head |

S.C.O.R.E.



S.C.O.R.E.

THANK YOU